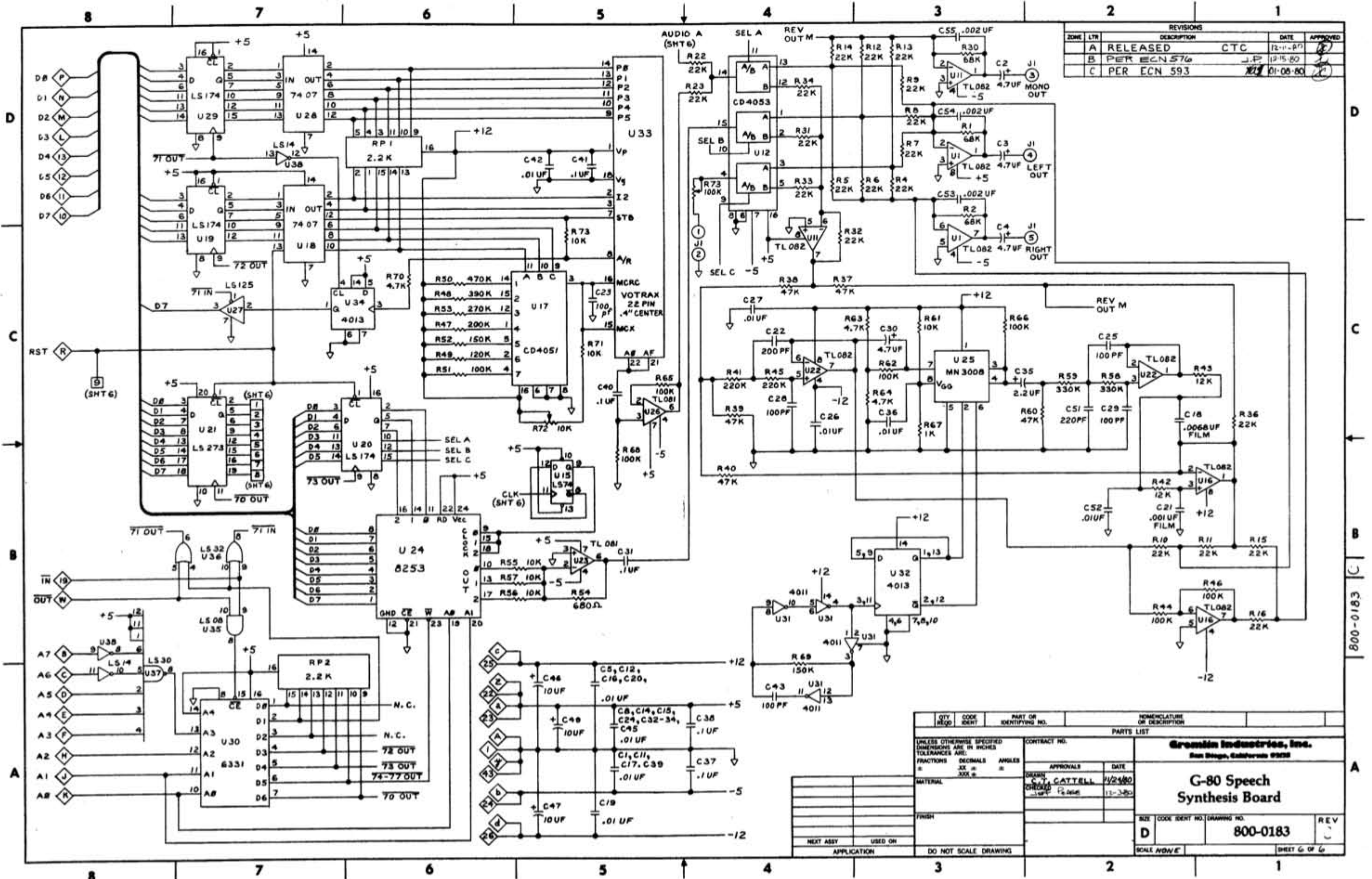


REVISIONS				
ZONE	LTR	DESCRIPTION	DATE	APPROVED
A		RELEASED	CTC	12-11-80
B		PER ECN 576	J.P.	12-15-80
C		PER ECN 593	J.P.	01-08-81



QTY REQD		CODE IDENT	PART OR IDENTIFYING NO.	NOMENCLATURE OR DESCRIPTION
UNLESS OTHERWISE SPECIFIED DIMENSIONS ARE IN INCHES TOLERANCES ARE:				
FRACTIONS	DECIMALS	ANGLES		
	XX	XXX		
MATERIAL			CONTRACT NO.	
FINISH			APPROVALS	
NEXT ASSY			DATE	
USED ON			DRAWN BY: C. J. GATTELL	
APPLICATION			CHECKED BY: [Signature]	
DO NOT SCALE DRAWING			DATE: 11/24/80	
			DATE: 12-3-80	
<b>G-80 Speech Synthesis Board</b> Green Industries, Inc. San Diego, California 92108				
SIZE	CODE IDENT NO.	DRAWING NO.	REV	
D		800-0183	C	
SCALE ABOVE			SHEET 6 OF 6	

800-0183